

BINAR TEST SYSTEMS

# TEST TOOL TAILGATE 12V OUTLET

- Quality check of hidden connector of tailgate 12V outlet
- Detects open circuit behind side panel without car battery connected (operator forgets to connect the cable)
- OK/NOK Illuminated by button
- Powered by M12 Milwaukee standard battery
- Ergonomic design
- Robust design and low power consumption



# DESCRIPTION

Our customised test tools check the quality of subsystems during the process of assembling an entity, to avoid errors being detected at a later stage when it can be difficult and costly or too late to perform troubleshooting and adjustments.

Tailgate Test Tool can be delivered with M12 battery and charger ready for use.

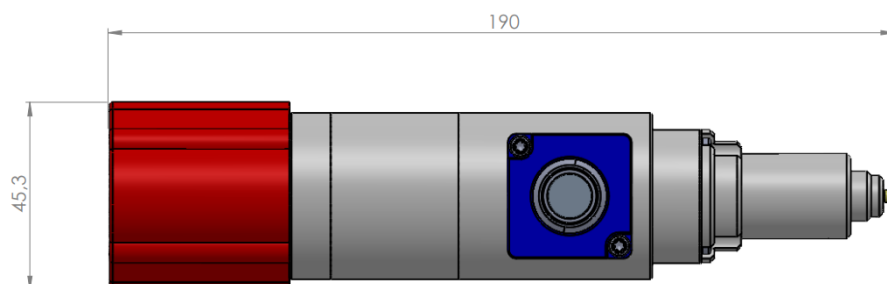
The illuminated test buttons are easy to use for the operator and has a bright multicoloured LED indication.

Low power consumption and has a long operation time (before charging is required).

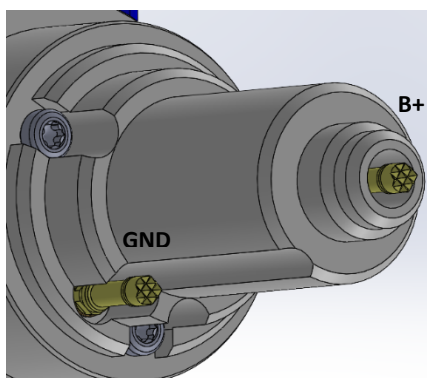
Visual indication of low battery power.

Easy maintenance of wearing parts.

Spare parts available upon request.



## CONNECTION



## TECHNICAL DATA

Power Supply	Milwaukee M12
Current Consumption	30 mA
Connection	Spring Probes
CE	EN 61000-6-4 och EN 61000-6-2
Temperature Range	0 – 50 °C
IP Rating	IP54
Application	Hand held
Weight	120 g
Dimensions	w48 x h45 x d190 (without battery)

## BINAR Solutions AB

Box 2001 • SE-461 11 TROLLHÄTTAN • Sweden  
tel +46 (0)520 47 32 00 • fax +46 (0)520 47 32 10  
e-post [info@binar.se](mailto:info@binar.se) • webb [www.binarsolutions.com](http://www.binarsolutions.com)  
2021-01-25LP301V1.00



**BINAR**  
Improving your productivity